



RICHARD WESTERN

PROVEN IN THE FIELD



FBS SPECIFICATIONS

	FBS12	FBS16	FBS20
Body Length	4.68m	5.49m	7.63m
Body Depth	1.20m	1.20m	1.20m
Body Width Top	2.00m	2.00m	2.00m
Body Width Bottom	2.00m	2.00m	2.00m
Loading Height	2.59m	2.59m	2.59m
Overall Height	3.52m	3.52m	3.52m
Overall Width	2.50m	2.50m	2.50m
Overall Length	7.64m	8.45m	10.59m
Cubic Capacity	12.00cu.m	14.00cu.m	19.00cu.m
Floor Chains	4 x 14mm	4 x 14mm	4 x 16mm
PTO Speed	1000rpm	1000rpm	1000rpm
Rotor Speed	420rpm	420rpm	420rpm
Number of Rotor Blades	30	30	30
Number of Axles	2	2	3
Axle Size	Ø 127mm	Ø 127mm	Ø 127mm
Brake Size	406 x 120mm	420 x 180mm	420 x 180mm
Tyres	560/60 x 22.5	560/60 x 22.5	560/60 x 22.5
Slurry Door	Optional	Optional	Optional
Spinning Disc Spreading Kit	Optional	Optional	Optional
Wide Angled PTO	Standard	Standard	Standard
Greedy Boards	Optional	Optional	Optional

DELILAH 4000 SERIES MANURE SPREADERS

New design heavy duty twin vertical beater manure spreaders with a reputation for strength and reliability

Richard Western Ltd., D'Urbans, Framlingham, Suffolk, IP13 9RP
 t: 01728 723224 f: 01728 724291 e: sales@richard-western.co.uk
 richard-western.co.uk

DELILAH MANURE SPREADERS

TWIN VERTICAL BEATER REAR DISCHARGE MANURE SPREADERS AVAILABLE FROM 8 TO 15 TONNE MODELS. THE DELILAH IS A HEAVY DUTY SPREADER DESIGNED TO HANDLE ALL TYPES OF MANURES, FYM, SEMI-SOLID, POULTRY LITTER, INDUSTRIAL SLUDGES, COMPOST, WASTE PRODUCTS ETC

Trouble free running

The Delilah is built with easy maintenance features. Top quality bearings, bearing assemblies and bushings with easy access grease points mean that your Delilah keeps working with minimal down time and the electronically balanced spreading rotors eliminate vibration during operation.

Tough body construction for reliability

The Delilah is designed to meet the demands of modern agriculture and contracting. The robust body construction uses 6mm floor panels and 4mm side panels for optimum strength, a flared top to give a wide 2.0m loading area, rigid pipework to carry the hydraulic services and a full width stone guard on the headboard.



STANDARD FEATURES:

- Wide angle PTO shaft with shearbolt protection
- 15 tonne hydraulically braked axle
- Rattle clutch on rear gearbox drive
- 1550mm wide body with 6mm floor and 4mm sides
- One piece gearbox unit up to 248HP rating
- Variable floor speed control, pressure protected with reverse function
- Two heavy duty floor chains with floating floor slats
- 10mm thick continuous spiral rotors for maximum shredding and spreading up to 16m wide
- 80mm floor drive shaft with 7 tooth self-cleaning drive sprockets
- Hardened rotor blades with break back stops
- Automatic light protectors with slurry door option

Minimal ground compaction

Running on large diameter tractor drive radial tyres, the Delilah is designed to keep going in the most challenging conditions with a choice of tyre sizes available to meet your individual requirements.



ACCURATE APPLICATION

Based on years of spreading experience, the latest rotor design and blade pattern on the Delilah allows you to achieve accurate spreading rates. The variable floor speed control allows you to choose your application rate, and with the option of monitoring equipment, you can be sure that your application rates are exactly as you expect.

OPTIONAL EQUIPMENT:

- Hydraulic slurry door
- Hydraulic folding compost/canopy doors
- Electronic floor speed control
- Hydraulic floor chain tensioning
- Sprung drawbar
- Rear drawbar with lights and brakes
- Greedy boards
- GPS ground speed control with valve block
- Fully automated weighing and recording equipment with GPS

The Delilah 4000 series models have 1550mm wide bodies. The new body design creates a wider top rail area for easy loading and less spillage. The increased machine width carries either 890mm diameter rotors in a 1700mm wide frame or 1100mm diameter rotors in a 2000mm wide frame. With an increased tip speed the Delilah 4000 series spreaders offer increased spreading width and greater shredding power.

ONE SPREADER - TWO SPREADING OPTIONS

Maximum output

With the hydraulic canopy doors fully open the spreader is used as a twin vertical beater for maximum output.

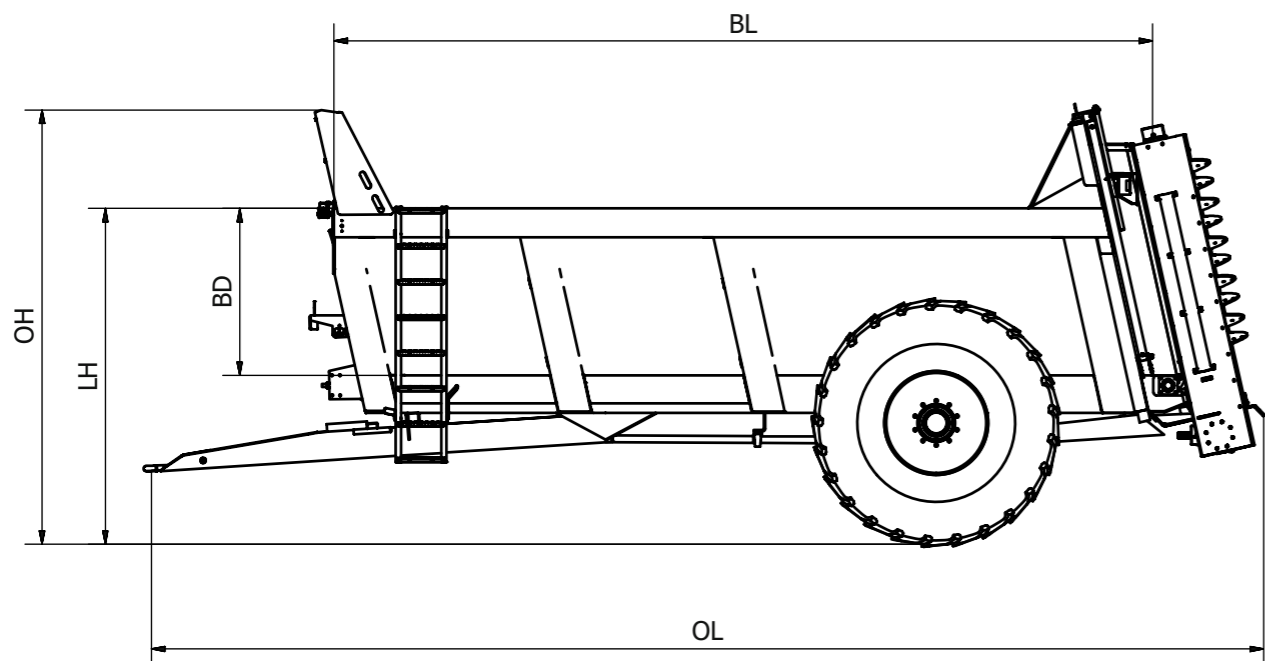


The new 1100mm diameter rotors have a disc base with three blades and replaceable wearing - parts. The option of a hydraulic folding canopy door allows the spreader to be used as a vertical beater spreader or with the doors closed the spreader can be used as a spinning disc spreader. The large diameter rotors are fitted as standard on the D4120 and D4150 and optional on the D4100.



Maximum accuracy

Closing the canopy doors allows the spreader to spread with the disc section only and is the ideal solution to achieve maximum spreading width and accuracy.



FBS MANURE SPREADERS

WIDE BODIED TWIN VERTICAL BEATER, REAR DISCHARGE MANURE SPREADER AVAILABLE IN 12, 16 AND 20 TONNE MODELS

STANDARD FEATURES:

- Wide angle PTO shaft with shearbolt protection
- Tandem or tri-axles on mono leaf springs
- 2m wide body with 6mm floor and 4mm sides
- One piece gearbox unit
- Variable speed hydraulic floor drive, pressure protected with reverse function
- 4 heavy duty floor chains (100 tonne breaking strain) with independent tensioning
- 10mm thick continuous spiral rotors for maximum shredding and spreading up to 16 metres wide
- 60mm floor drive shaft with self-cleaning chain sprockets
- Hardened rotor blades with break back stops

Springs or rocking beam axles
Running on tandem axles with a choice of springs or rocking beams and fitted with wide flotation tyres the FBS is designed to keep going in the most challenging conditions without causing damage to the soil structure.



DELILAH SPECIFICATIONS

	D4075	D4080	D4095	D4100	D4120	D4150
Body Length*	4.10m	4.10m	5.14m	5.14m	6.10m	6.10m
Body Depth	1.00m	1.24m	1.00m	1.24m	1.24m	1.50m
Body Width Top	1.98m	1.98m	1.98m	1.98m	1.98m	2.10m
Body Width Bottom	1.60m	1.60m	1.60m	1.60m	1.60m	1.60m
Loading Height	2.24m	2.42m	2.24m	2.49m	2.49m	2.74m
Overall Height	2.97m	3.12m	2.97m	3.22m	3.22m	3.47m
Overall Width	2.76m	2.76m	2.87m	2.87m	2.87m	2.87m
Overall Length	6.33m	6.33m	7.31m	7.31m	8.31m	8.31m
Cubic Capacity**	6.44cu.m	8.0cu.m	8.0cu.m	9.9cu.m	11.9cu.m	14.4cu.m
Floor Chains	2x16mm	2x16mm	2x16mm	2x16mm	2x20mm	2x20mm
Floor Drive Shaft	65mm	65mm	65mm	65mm	80mm	80mm
PTO Speed	1000rpm	1000rpm	1000rpm	1000rpm	1000rpm	1000rpm
Rotor Speed	420rpm	420rpm	420rpm	420rpm	420rpm	420rpm
Rotor Diameter	890mm	890mm	890mm	890mm	1100mm	1100mm
Slurry Door	Optional	Optional	Optional	Optional	Optional	Optional
Wide Angled PTO	Standard	Standard	Standard	Standard	Standard	Standard
Greedy Boards	Optional	Optional	Optional	Optional	Optional	N/A
Number of Axles	1	1	1	1	1	1
Tyres	16.9x34	18.4x34	23.1x26	650/75x32	650/75x32	650/75x32
Axle Track	2.3m	2.3m	2.3m	2.3m	2.3m	2.3m
Axle Size	100mm squ	127mm dia	127mm dia	127mm dia	150mm squ	150mm squ
Brake Size	400x80mm	420x180mm	420x180mm	420x180mm	420x180mm	420x180mm
Tare Weight	4705kg	4895kg	5530kg	5630kg	5825kg	5975kg

* Body Length is measured without slurry door

** Cubic Capacity is level filled with no slurry door

THE BIG CAPACITY SPREADER

Based on the same design principle as the Delilah spreader the FBS manure spreader is a large capacity, wide bodied spreader designed to handle all types of farmyard manures, sludges and waste products and with a 2 metre wide body and big cubic capacity the FBS is particularly suited to handling low density materials.

FBS OPTIONAL EQUIPMENT:

- Hydraulic slurry door
- Hydraulic folding compost/canopy doors
- Electronic floor speed control
- Hydraulic floor chain tensioning
- Sprung drawbar
- Rear drawbar with lights and brakes
- Greedy boards
- GPS ground speed control with valve block
- Fully automated weighing and recording equipment with GPS